



**SPECIALIZED**

# FOR THE PAST 30 YEARS WE'VE BEEN OBSESSED WITH A SINGULAR GOAL:

## DESIGNING AND BUILDING THE FINEST PERFORMANCE WATER BOTTLES.

We've learned a few key things along the way: Squeezing the bottle should be easy, even when you're exhausted from a brutal workout. Poppet valves should offer generous volume on demand, but must never drip or leak... ever. And most importantly, the water that goes in should always taste exactly like the water that comes out.

From our first bottle, the Mariplast, to the recently released Purist, we have strived to create a perfect water bottle – one that delivers the purity and clarity of a water glass, with unmatched flexibility and flow.

Our new Purist HydroFlo is that perfect bottle, shattering the conventions of how water bottles can perform. It's nearly effortless to squeeze, has the clarity of a glass bottle, and delivers the absolute purest water taste. It tastes like you're drinking from a water glass.

Try one: You'll never think about your bottle again (for all the right reasons)!

  
CHUCK ROBINSON

  
MIKE SINYARD

  
RYAN JONES



NEW FOR 2012

purist hydroflo

## SHATTERING LIMITS

From our very first bottle, the Mariplast, to the acclaimed Purist, we've strived to create a perfect water bottle. One that delivers a pure taste, the clarity of glass, with unmatched flexibility and flow. Introducing our newest bottle the Purist Hydroflo. A bottle shattering all convention. Nearly effortless to squeeze with crystalline like clarity while delivering water as if drinking from a glass.



**FLEX:** Thanks to ultra flexible walls Hydroflo delivers a tidal wave of water. By tuning the design there's flex where you squeeze it and structure when it's required. This provides increased strength at the cap for leak resistance and a solid structure to ensure the bottle stays in your cage, even on the toughest roads. The secret to the Hydroflo is our next generation resin, engineered to be durable, super flexible and ultra clear.



**FIT:** Hydroflo's unique, three-sided shape fits perfectly in your hand for a solid, controlled grip no matter how fast you're going or how tired you are. The design reduces the chance you will drop your bottles through a perfect ergo hold.



**PURE:** To deliver a pure water taste, Hydroflo is infused with Purist. Using technology inspired by nature's lotus leaf, Purist shields the bottle from odor, staining and mold build up, so all you taste is pure water every time.



**SAFE:** Hydroflo is 100-percent recyclable, FDA approved, BPA free and independently tested and approved by SGS.

No other bottle, looks like Purist HydroFlo, or performs like it. It is the culmination of everything we've learned in over 30 years of making the world's best water bottles.

Try one: You'll never think about your bottle again (for all the right reasons)!



Hydroflo Clear 26oz  
One color spot

SCAN THIS  
TO LEARN MORE ABOUT THE HYDROFLO  
AND THIS REVOLUTIONARY RESIN



ULTRA FLEX RESIN



SURE GRIP



PURE TASTE TECHNOLOGY



BPA FREE



SUPER SQUEEZABLE



ICE CUBE FRIENDLY



FREEZER FRIENDLY



NO SCRUB



DISHWASHER SAFE



MADE IN THE USA



**PURIST**



## PURE, PURER, PURIST

With technology inspired by nature, Purist is as close to drinking from a glass as you can get, but with all the flexibility and safety of a sports water bottle.

Just as the lotus leaf sheds water and contaminants, so does Purist—shielding the inside of your bottle from odors, stains, and mold. One drink and you will realize what you have been missing: The pure taste of water.



**PURE:** You will think you are drinking out of a glass. Nothing sticks, so your bottle stays cleaner and your water tastes pure. With a simple rinse, mold and residue are eliminated.



**SAFE:** Made of food safe LDPE #4 plastic that's both BPA-free and won't leach into liquids. Bottle, cap and poppet fully comply with FDA and European standards, California Pro 65 and Japan Food Hygiene regulations. The full gamut.



**SQUEEZABLE:** Hard bottles are hard to hold onto. Our special low durometer plastic makes our bottles extra flexible and easy to use, so you get a good grip and sure-fire flow with every squeeze.



**EARTH FRIENDLY:** Purist is 100-percent recyclable. Need we say more. When you are ready to pitch it, make sure it goes in the blue bin.

Each Purist bottle is infused with silicon dioxide (SiO<sub>2</sub>), a naturally occurring element common in fruits and vegetables. It's added to the polymer structure of the inner surface of the bottle, forming a protective glass-like barrier that prevents odor, taste, stains, and mold from permanently attaching to the inside surface of the bottle.



22oz

26oz

SCAN THIS  
TO LEARN MORE ABOUT PURIST  
AND THE TECHNOLOGY BEHIND IT





**THE PURIST**

The Purist features nine brilliant colors and the same smudge proof custom printing process your familiar with. The soft poppelt and squeezable bottle make drinking a snap and lest we forget the screw cap and large opening for all your ice and drink mix requirements.



**CLEAR VIEW STRIP**

INSTANTLY CHECK HOW MUCH WATER YOU HAVE

**WHITE BOTTLE**  
FOUR COLOR PROCESS

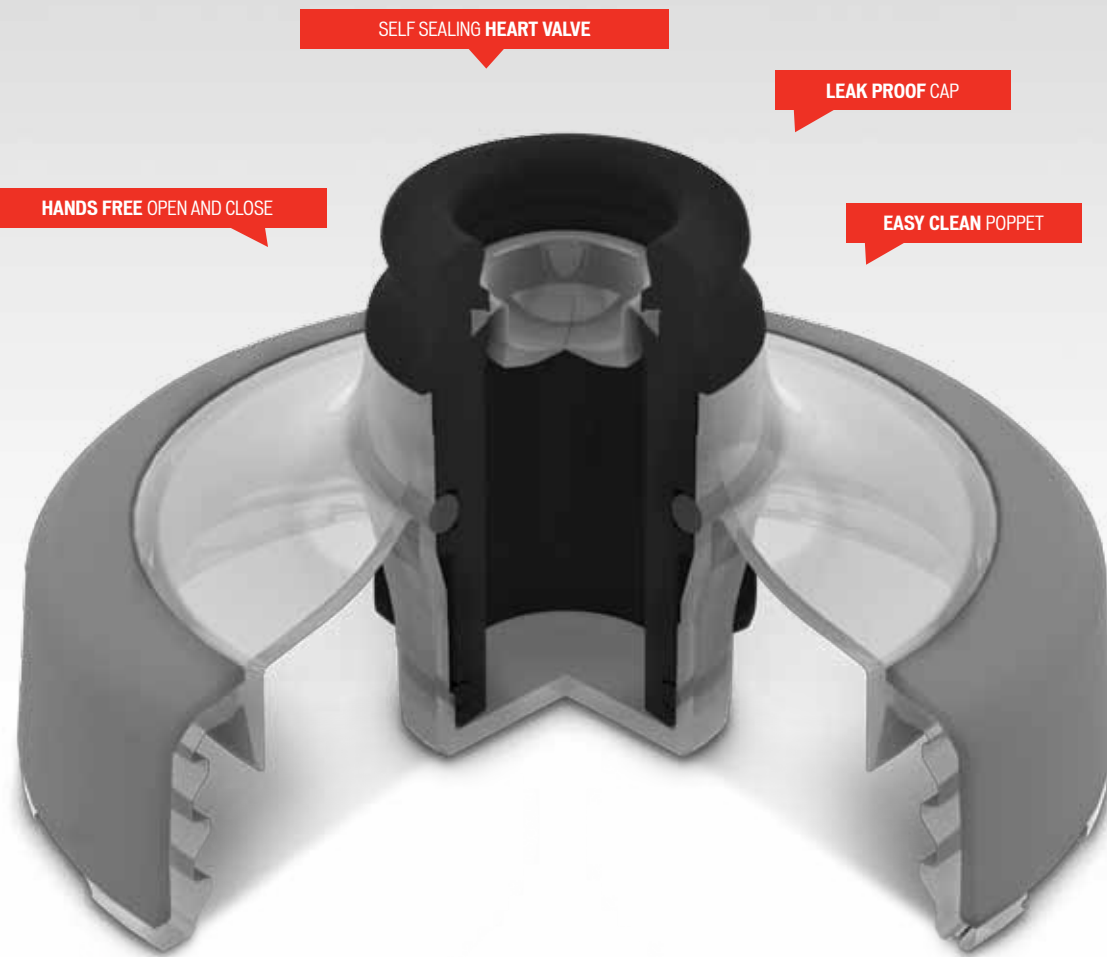
-  PURE TASTE TECHNOLOGY
-  100% RECYCLABLE
-  BPA FREE
-  SUPER SQUEEZABLE
-  ICE CUBE FRIENDLY
-  FREEZER FRIENDLY
-  NO SCRUB
-  DISHWASHER SAFE
-  MADE IN THE USA

-  SPOT COLOR PRINT
-  FOUR COLOR PRINT

# WATERGATE

## WATERGATE™ OUR MOST ADVANCED CAP

The Watergate, also exclusive to the Purist line is our most advanced cap. The Watergate features the self-sealing Heart Valve™, delivering a high rate of flow with a leak proof design, even when the valve is open. The simplest drinking experience ever, just squeeze and drink.



SELF SEALING HEART VALVE



EASY CLEAN POPPET



LEAK-PROOF CAP



HANDS FREE OPEN AND CLOSE

# MOFLO

CLEAR



RED



TRANS GREEN



BLACK



TRANS BLUE



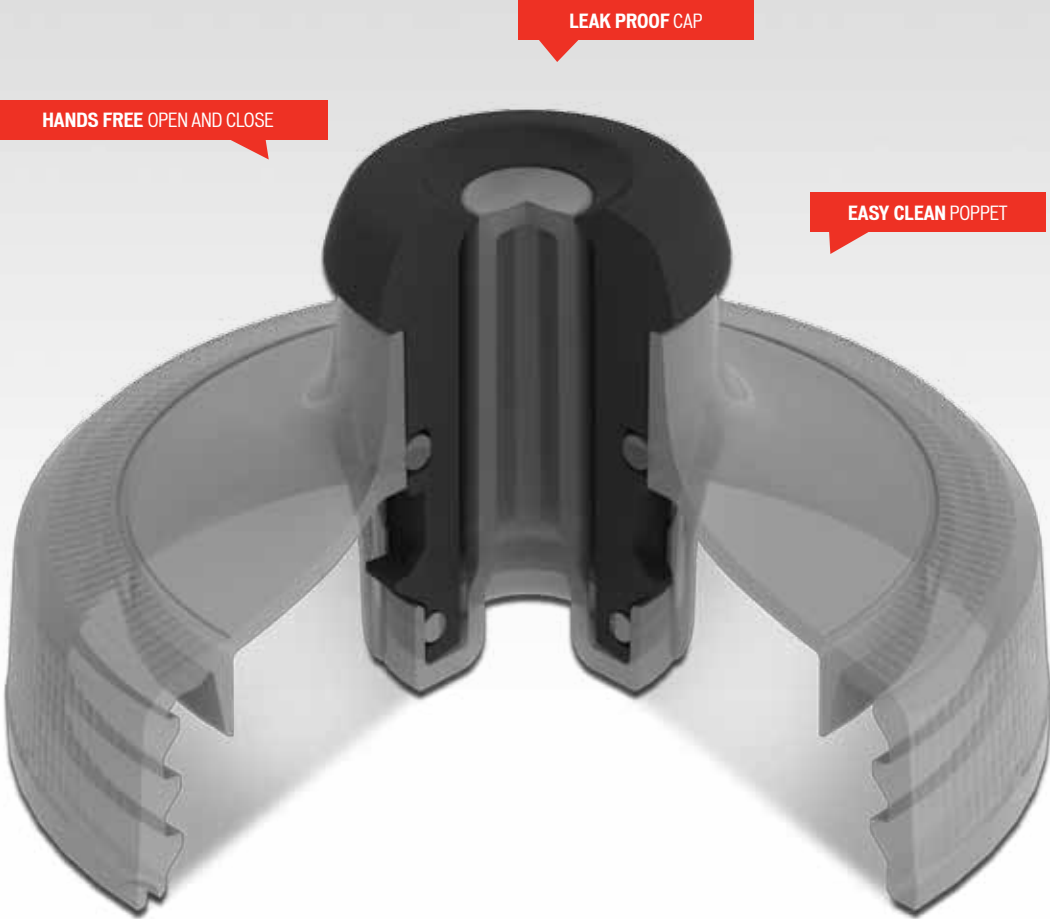
TRANS GRAY



# MOFLO™

## THE MOST WATER WHEN YOU NEED IT

The MoFlow, exclusive to our Purist line, delivers the highest level of fluid flow. Fifty percent more water than leading bottles and fifteen percent more flow than our Big Mouth cap. Easy to open, effortless to use and leak proof when closed, MoFlo delivers the most water when you need it.



EASY CLEAN POPPET



LEAK-PROOF CAP



HANDS FREE OPEN AND CLOSE

**BIG MOUTH**

# BIG MOUTH™

## BIG MOUTH AND LITTLE BIG MOUTH

Our most popular bottle family, the twenty one ounce Little Big Mouth (LBM) and twenty four ounce Big Mouth (BM) comes in eleven eye popping colors and makes the perfect billboard for your bike shop logo, club name or even an event. Once you stop admiring your custom printed logo, you'll appreciate the ice cube friendly top, soft on the teeth poppet and easy-squeeze textured grip.



**SAFE:** Made of food safe LDPE #4 plastic that's both BPA-free and won't leach into liquids. Bottle, cap and poppet fully comply with FDA and European standards, California Pro 65 and Japan Food Hygiene regulations. The full gamut.



**SQUEEZABLE:** Hard bottles are hard to hold onto. Our special low durometer plastic makes our bottles extra flexible and easy to use, so you get a good grip and sure-fire flow with every squeeze.



**EARTH FRIENDLY:** Purist is 100-percent recyclable. Need we say more. When you are ready to pitch it, make sure it goes in the blue bin



21oz

24oz



ICE CUBE FRIENDLY



FREEZER FRIENDLY



DISHWASHER SAFE



MADE IN THE USA



SPOT COLOR PRINT



FOUR COLOR PRINT



# BIG MOUTH



Orange  
Two color spot

Clear 21oz  
Two color spot

Trans Green 24oz  
Four color process

Trans Blue 24oz  
Four color process

Silver 21oz  
Four color process

Red 21oz  
Three sport colors

Trans Grey 24oz  
Four color process

Prismatic Blue 21oz  
Two spot colors

Trans Grey 21oz  
Four color process

Pink 21oz  
One spot color

## 21oz LITTLE BIG MOUTH

THE BIG MOUTH MAKES THE PERFECT BILLBOARD FOR YOUR BIKE SHOP, PRODUCT, CLUB, OR EVENT

TRANS GRAY BOTTLE  
ONE COLOR SPOT PRINTING

## BM AND LBM CAP COLORS



WHITE

YELLOW

ORANGE

RED

GREEN

PINK

BLUE

NAVY BLUE

CLEAR

TRANS GREEN

SILVER

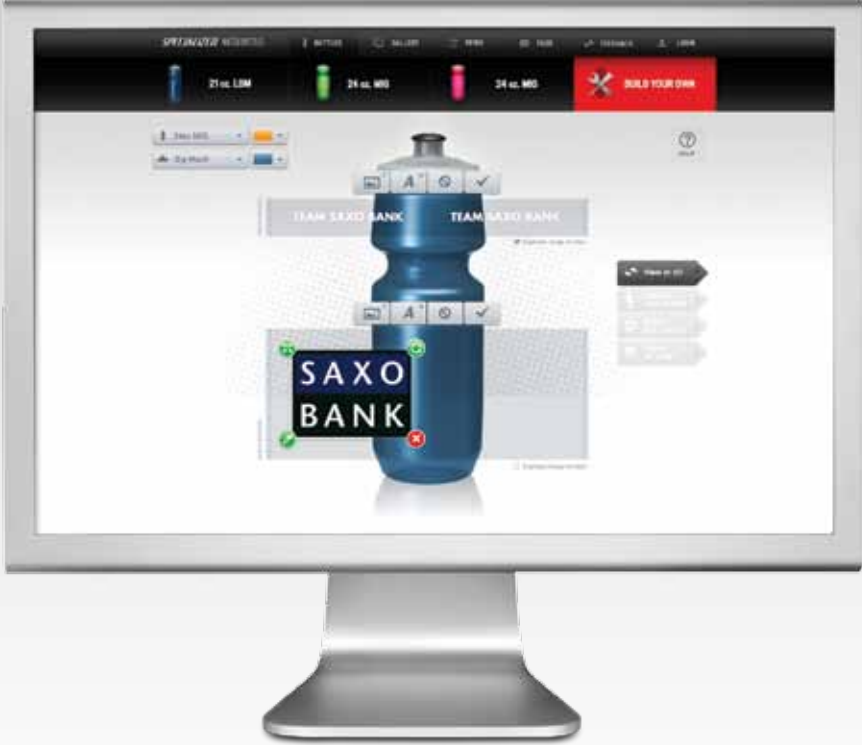
BLACK

BLACK (YELLOW POPPET)

BLACK (RED POPPET)

BLACK (BLUE POPPET)

# BOTTLE CUSTOMIZER



PICK YOUR BOTTLE → PICK YOUR COLOR → PICK YOUR CAP → MAKE IT YOURS

We've designed our on-line bottle customizer to be easy and really fun to use. You can pick from any of our family of bottles, your cap, which colors, and add your artwork. A few clicks later, presto, your custom bottle is there on the screen.....and it is available to order 24/7.



# CUSTOMIZE



## **BOTTLES**

**TO ORDER:** [WWW.SPECIALIZEDWATERBOTTLES.COM](http://WWW.SPECIALIZEDWATERBOTTLES.COM) OR 800.245.3462

**SPECIALIZED** 15130 CONCORD CIRCLE MORGAN HILL, CA 95037